

1 Specifications

Cat No	LLF024K1200
Lumen package	3600 lm
CCT	4000K
Supply Voltage	230-240V ~ 50Hz
Input Power	36W
Efficacy	100 lm/W
Input Current	0.15A
Power Factor	0.97
Colour Rendering Index (CRI)	80+
Beam Angle	108°
Lifespan	35,000hrs @ 25° C Ambient
Dimming	Non-Dimmable
Warranty	3 YRS

2 Installation

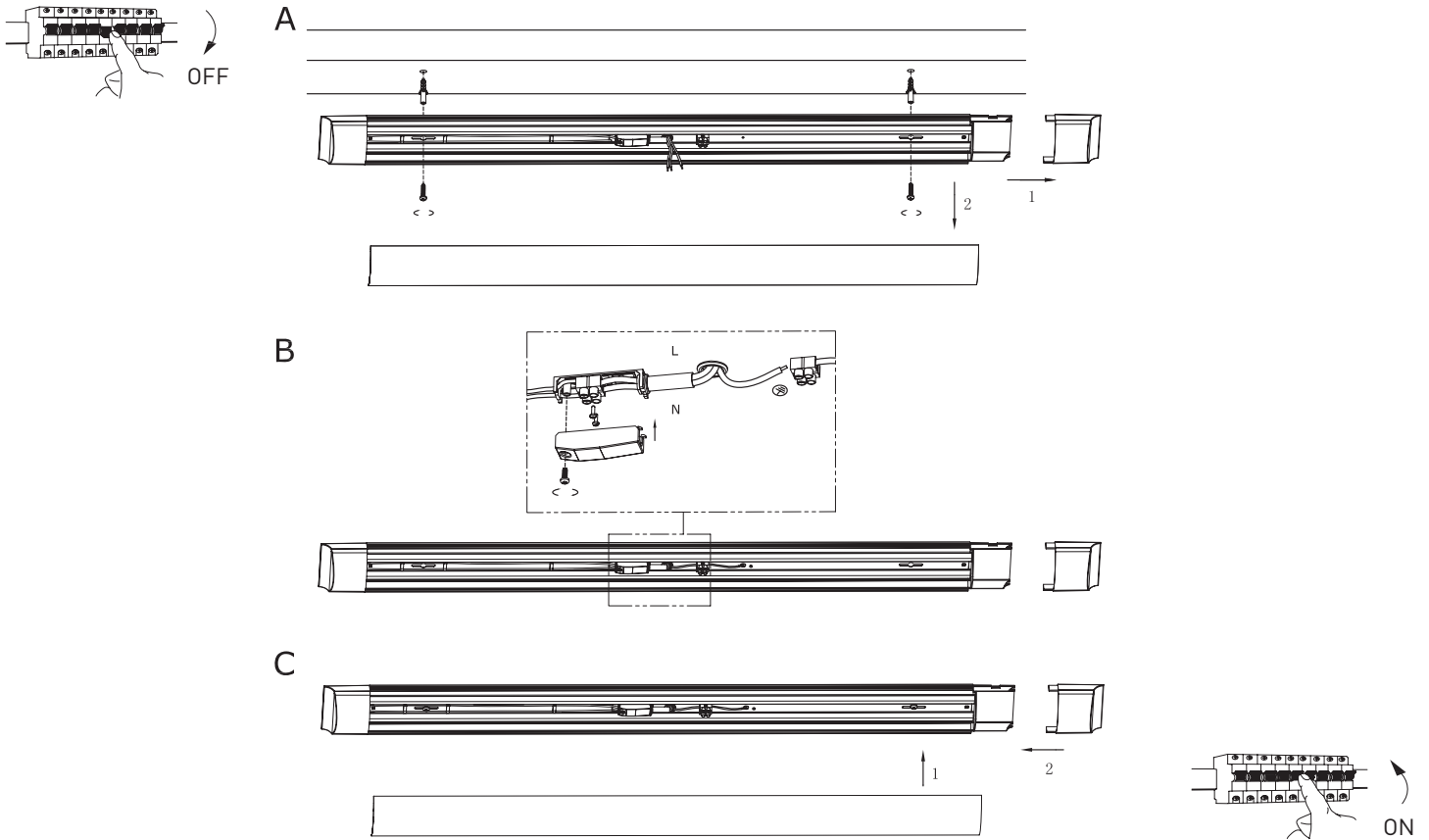
FOR INDOOR USE ONLY

Isolate 240V mains supply before opening fitting for maintenance or installation.

Follow the steps below:

1. Remove End Cap by pushing it outward (A-1). Only end with direction arrow should be opened.
2. Remove diffuser by sliding it towards the open end (A-2).
3. Insert mains wiring through grommet (A-2).
4. Fix the Luminaire body onto the wall/ceiling with screws and lugs provided (A-2).
5. Connect the Active, Neutral and Earths supply wires to the terminal block as shown (Fig. B).
6. Ensure terminal cover in installed with screw provided (Fig. B).
7. Assemble reflector and end Cap (Fig. C).
8. DO NOT MEGGER TEST.

2 Installation (cont.)



3 Maintenance/cleaning

This product should only be cleaned with a damp cloth. Cleaning agents and solvents should not be used.

4 Disclaimers

1. This product must be installed and used as per these instructions.
2. The mounting screws on this product should be tightened to a maximum torque of 0.8Nm. Over tightening may damage the product.
3. This product contains no serviceable parts and no attempt should be made to repair this product. If the product is faulty it should be discarded.
4. This product is not suitable for installation in hazardous and/or corrosive areas.
5. Electrical installations periodically receive transient over voltages. This product has been designed to minimise the effect of such voltages on connected equipment. It may not give full protection for extreme over-voltage transients such as those resulting from a close lighting strike.
6. This product utilises intellectual property in the form of registered designs, trademarks, and/or patents. Such intellectual property remains the property of Legrand in all cases.
7. Legrand reserves the right to modify the specification of this product at any time.
8. This product has been designed to operate in ambient temperatures: -5°C to 25°C occasionally reaching 35°C.
9. Stated lifespan is an average. Actual lifespan will vary according to individual circumstances.
10. Extended exposure to UV rays (such as exposure to direct sunlight) may cause discolouration of this product.
11. The material in this product may vary in colour from batch to batch. Colour matching from one batch to another cannot be guaranteed.

Warranty

Legrand warrants this product for a period of 3 years from the date of purchase. These goods come with guarantees that cannot be excluded under the Australian and New Zealand Consumer Laws. You are entitled to a replacement or a refund for a major failure and for compensation for any other reasonably foreseeable loss or damage. You are also entitled to have the goods repaired if the goods fail to be of acceptable quality and the failure does not amount to a major failure. See the Warranty card enclosed with this product for further details.

Customer Service

For all Customer Service and Technical Support please call Monday to Friday during business hours.

Legrand Australia
1300 369 777
www.hpm.com.au

Legrand New Zealand
0800 476 009
www.hpm.co.nz
ABN: 31 000 102 661